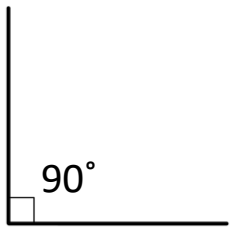


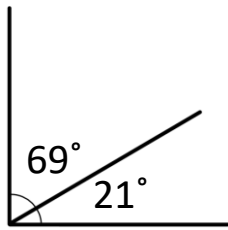
Angles

An **angle** is a measure of a **turn**. It is measured in **degrees** (the symbol for degrees is $^{\circ}$)

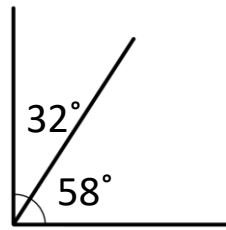
Angles in a right angle always add up to 90°



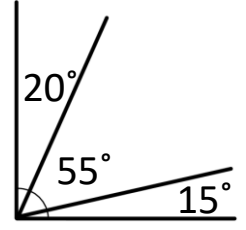
(a right angle = 90°)



($69^{\circ} + 21^{\circ} = 90^{\circ}$)

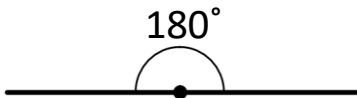


($32^{\circ} + 58^{\circ} = 90^{\circ}$)

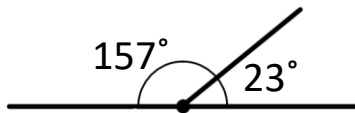


($20^{\circ} + 55^{\circ} + 15^{\circ} = 90^{\circ}$)

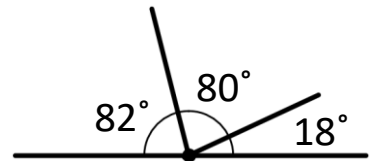
Angles on a straight line always add up to 180°



(a straight line = 180°)

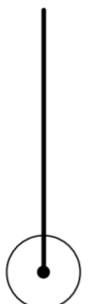


($157^{\circ} + 23^{\circ} = 180^{\circ}$)

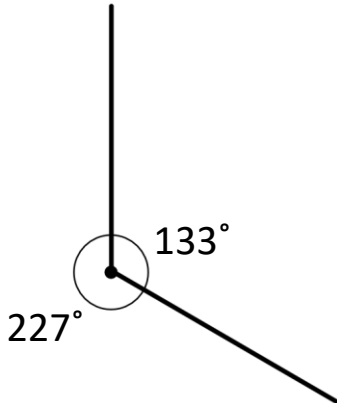


($82^{\circ} + 80^{\circ} + 18^{\circ} = 180^{\circ}$)

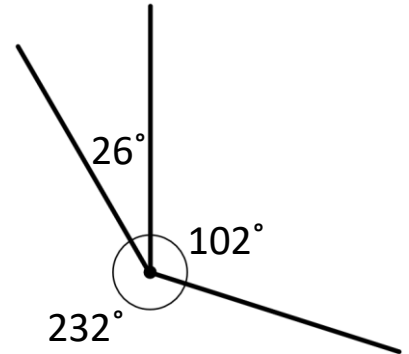
Angles around a point always add up to 360°



(a complete turn = 360°)



($227^{\circ} + 133^{\circ} = 360^{\circ}$)



($232^{\circ} + 102^{\circ} + 26^{\circ} = 360^{\circ}$)

When two straight lines cross, opposite angles are equal

