

Examples

Workout



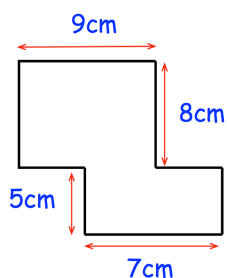
Click here



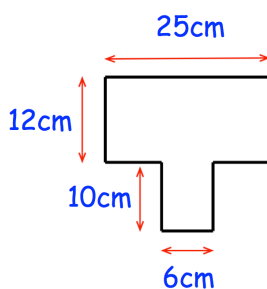
Scan here

Question 1: Work out the area of each of these shapes.

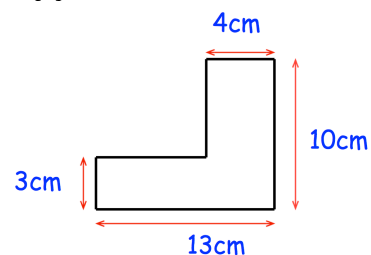
(a)



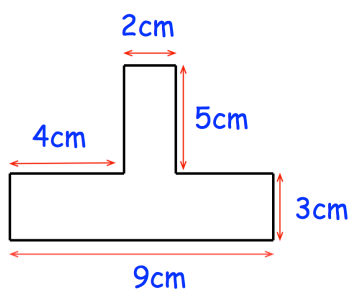
(b)



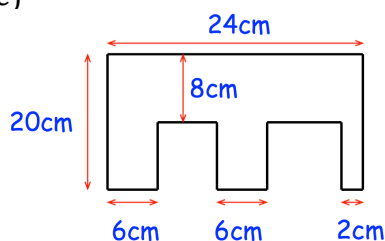
(c)



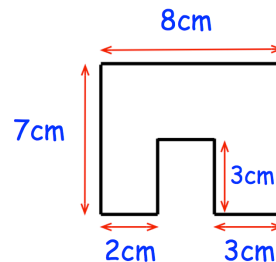
(d)



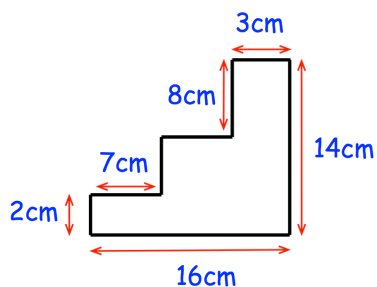
(e)



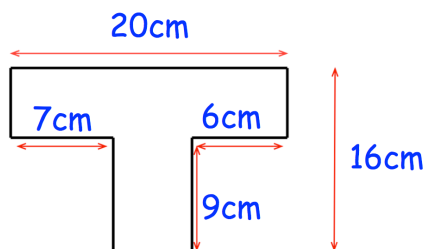
(f)



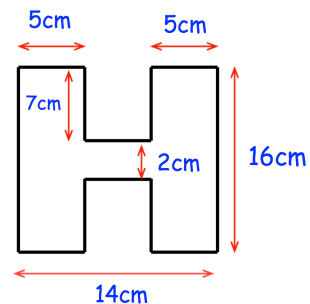
(g)



(h)

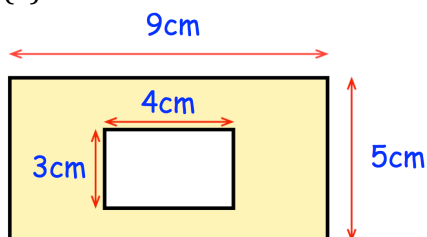


(i)

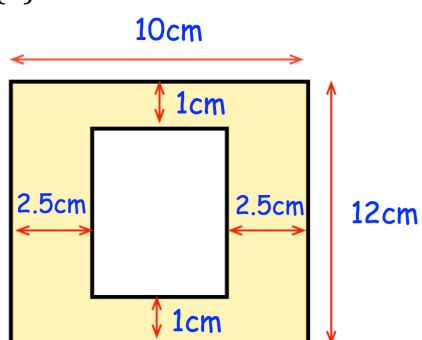


Question 2: Work out the shaded area.

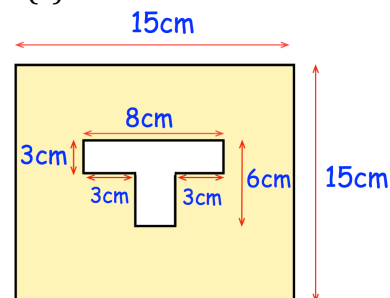
(a)



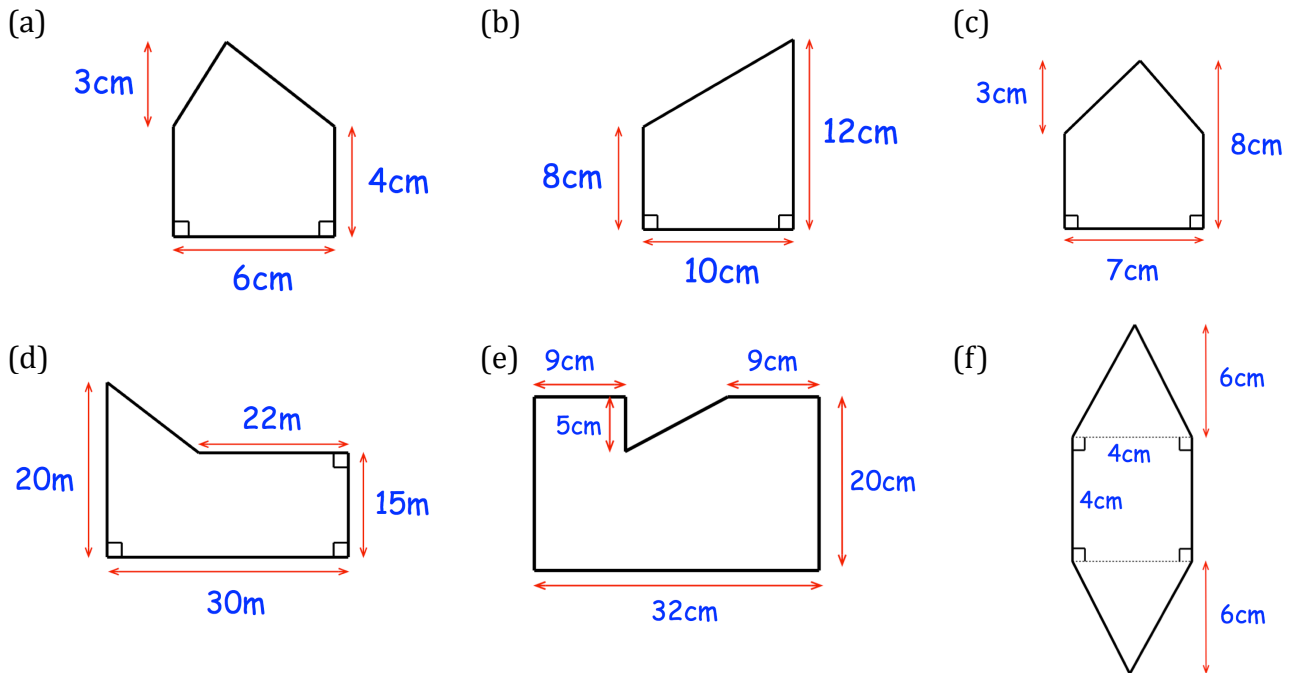
(b)



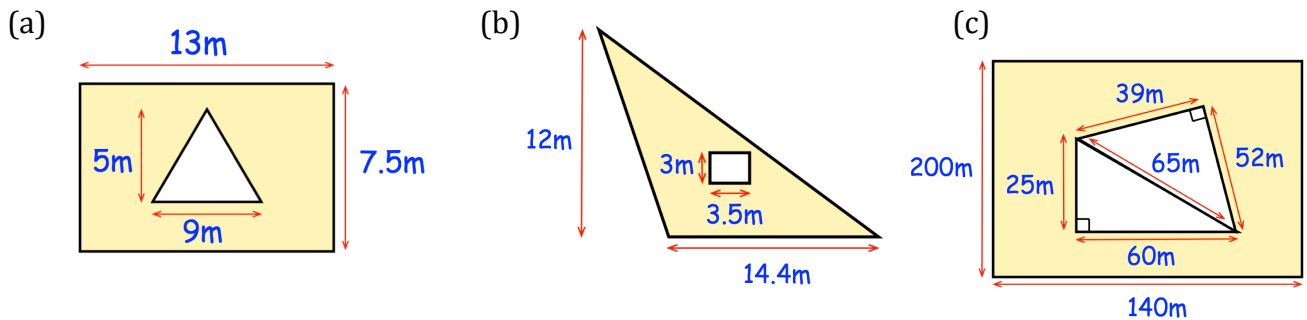
(c)



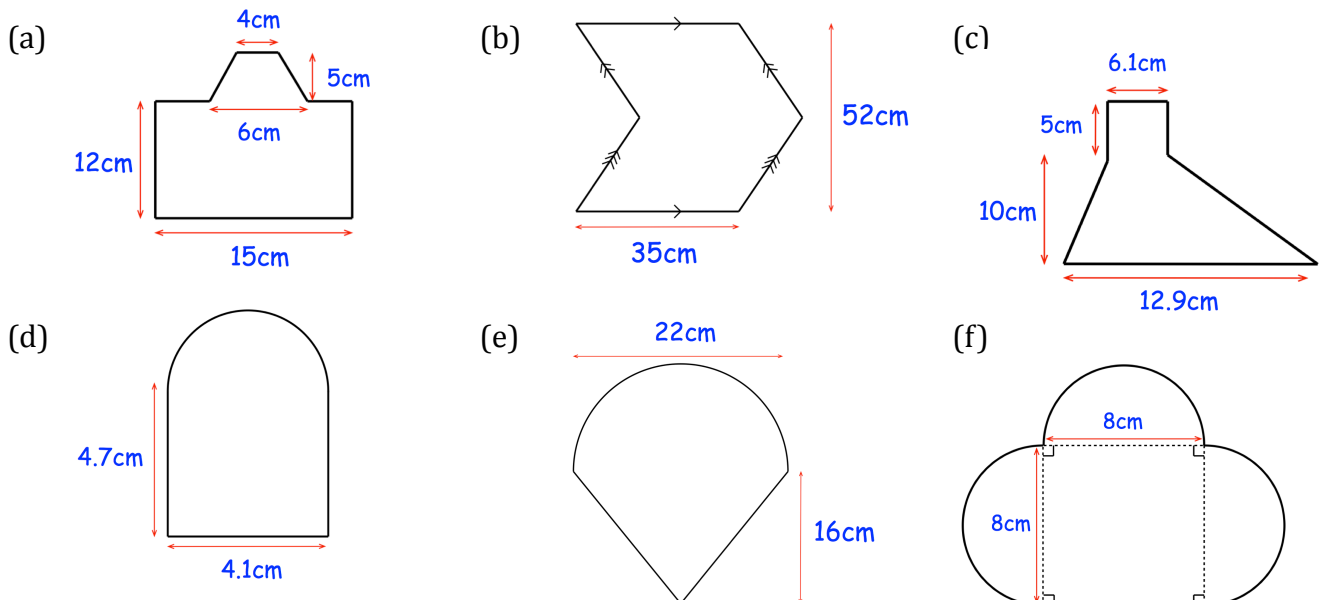
Question 3: Work out the area of each of these shapes.



Question 4: Work out the shaded area.

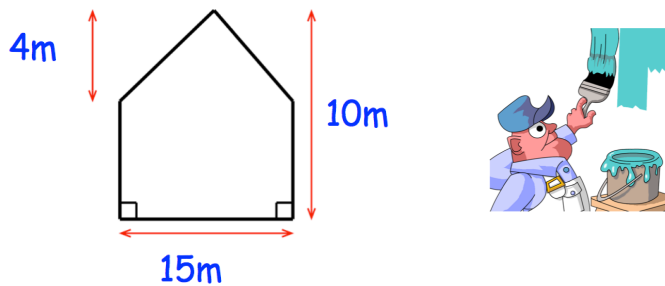


Question 5: Work out the area of each of these shapes.

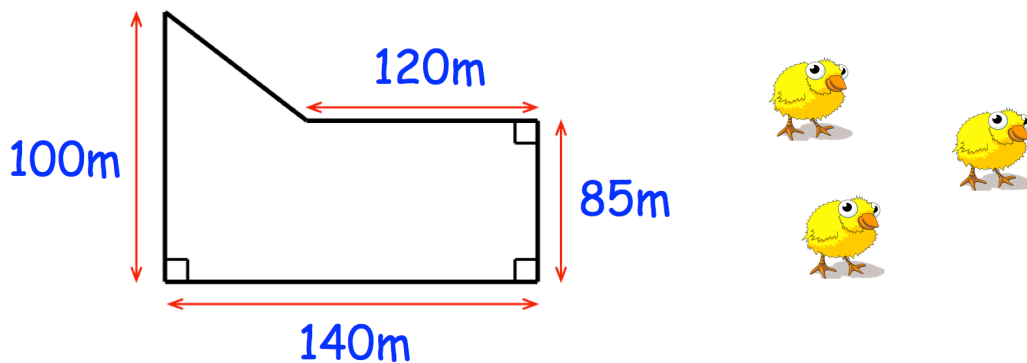


Apply

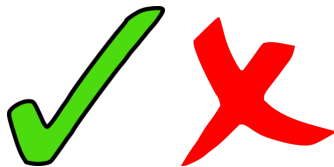
Question 1: William is painting the side of his house.
He has 8 litres of paint and each litre of paint covers 16m^2
Does William have enough paint?



Question 2: Farmer Martin keeps chickens in the field below.
Each chicken needs 3m^2 .
What is the maximum number of chickens that he can keep?



Answers



Click here



Scan here